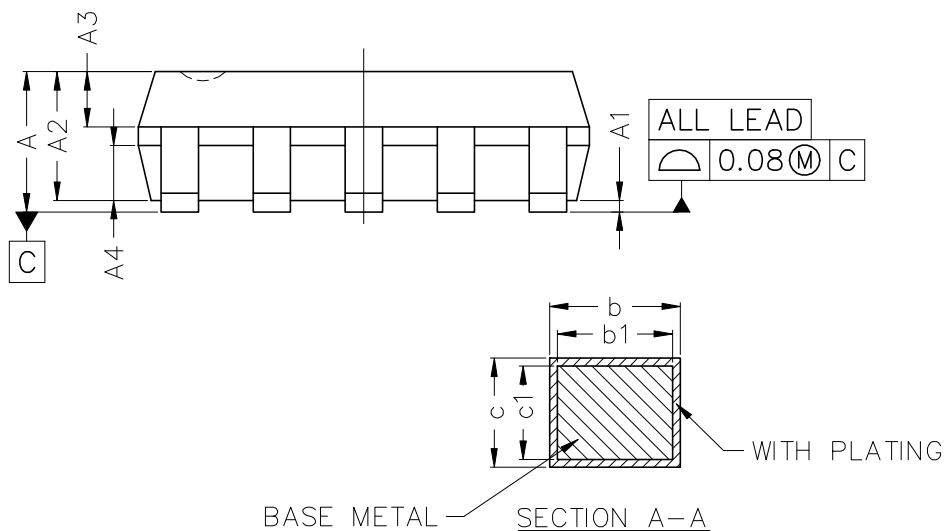


	SYMBOL	MIN	NOM	MAX
TOTAL THICKNESS	A	—	—	1.75
STAND OFF	A1	0.05	0.125	0.20
MOLD TOTAL THICKNESS	A2	1.30	1.40	1.60
TOP MOLD THICKNESS	A3	0.55	0.60	0.65
BOTTOM MOLD THICKNESS	A4	0.547	0.597	0.647
LEAD WIDTH	b	0.31	—	0.53
LEAD WIDTH	b1	0.30	0.40	0.50
LEAD THICKNESS	c	0.20	—	0.24
LEAD THICKNESS	c1	0.19	0.203	0.21
MOLD LENGTH	D	4.80	4.90	5.00
MOLD WIDTH	E1	3.80	3.90	4.00
LEAD SPAN	E	5.80	6.00	6.20
LEAD PITCH	e	1.00 BSC		
LEAD LENGTH	L1	0.95	1.05	1.15
LEAD SOLE LENGTH	L	0.40	0.60	0.80
LEAD FORM ANGLE	$\theta$	0°	—	8°



B	增加引脚共面性、形位公差、下模厚度及引脚长度标注	黄乙为	2021/12/08					
A	INITIAL ISSUE	黄乙为	2021/08/11					
REV	DESCRIPTION OF CHANGE	DRAWER	ISSUE DATE					
TITLE	SOP10L POD							
DWG No.	ED-Q-153	MATERIAL						
X	±0.5	REV	B	SHEET	1/1	DWN	黄乙为	2021/12/08
X.X	±0.1			SCALE	NTS	CKD		
X.XX	±0.05			UNIT	MM	APPD		
X.XXX	±0.050							